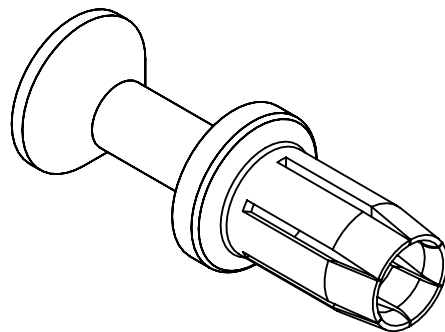



assembly notes see catalog  
 crimp tool 09 99 000 0377 (without locator)  
 for stranded fine wire acc. to VDE 0295 class 5/IEC 60228 class 5  
 wire gauge: 6mm<sup>2</sup>  
 stripping length: 15mm



|   |   |  |  |                             |                |                             |      |   |  |
|---|---|--|--|-----------------------------|----------------|-----------------------------|------|---|--|
|  | All rights reserved<br>Department EL PD | All Dimensions in mm<br>Original Size DIN A4 |  | Scale<br>2:1                | Free size tol. |                             | Ref. |   |  |
|   |   | Created by<br>HELLMANN                       |  | Inspected by<br>NICHTERLEIN |                | Standardisation<br>SAP_WFRT |      | Date<br>2022-10-10  |  |
| HARTING<br>D-32339 Espelkamp  |   | Title<br>Han TC70 female contact 6qmm        |  |                             |                |                             |      | State<br>Final Release                                    |  |
|   |   | Type<br>TB                                   |  | Number<br>09 11 000 6230    |                |                             |      | Doc-Key / ECM-Nr.<br>100180779/UGD/004/F<br>500000224.804 |  |
|   |   |  |  |                             |                | Rev.<br>F                   |      | Page<br>1/1   |  |